

HOTEC

HAND DRYER

PUSH-BUTTON

HIFLOW PLUS



Reference: 11.224.W
cast iron
white enameled coating

Reference: 11.224.B
cast iron
black enameled coating

Reference: 11.225
304 stainless steel
brigh

Reference: 11.226
304 stainless steel
satin

COMPONENTS & MATERIALS

- One-piece cover.
- High speed brush motor.
- Strong, vandal proof and build without edges.
- Universal brush motor incorporating a safety thermal cut-off.
- Element incorporates a safety thermal cut-off.
- Aluminium centrifugal double inlet fan wheel.
- 360° revolving nozzle in chrome-plated zamak.
- Easy maintenance.
- Dimension: 245 high x 280 wide x 215 deep mm.

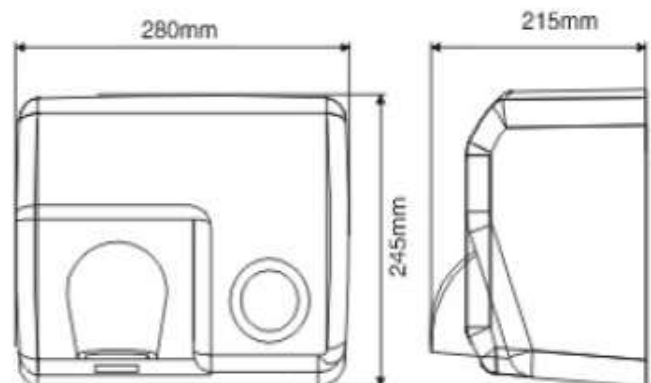
TECHNICAL SPECIFICATIONS

· Material	Cast iron or 304 stainless steel
· Cover thickness	1.0 mm thick
· Voltage/Frequency	AC220V, 50/60Hz
· r.p.m.	6200
· Total power	2300W
· Motor power	250W
· Consumption	10A
· Air velocity	23m/s
· Air temperature	50-80°C
· Noice level	<78dB
· Protection level	IPX1

CERTIFICATE



TECHNICAL DRAWING



Tel: +86 571 888 685 70

Fax: +86 571 888 685 71

hotec@cnhotec.com

www.cnhotec.com